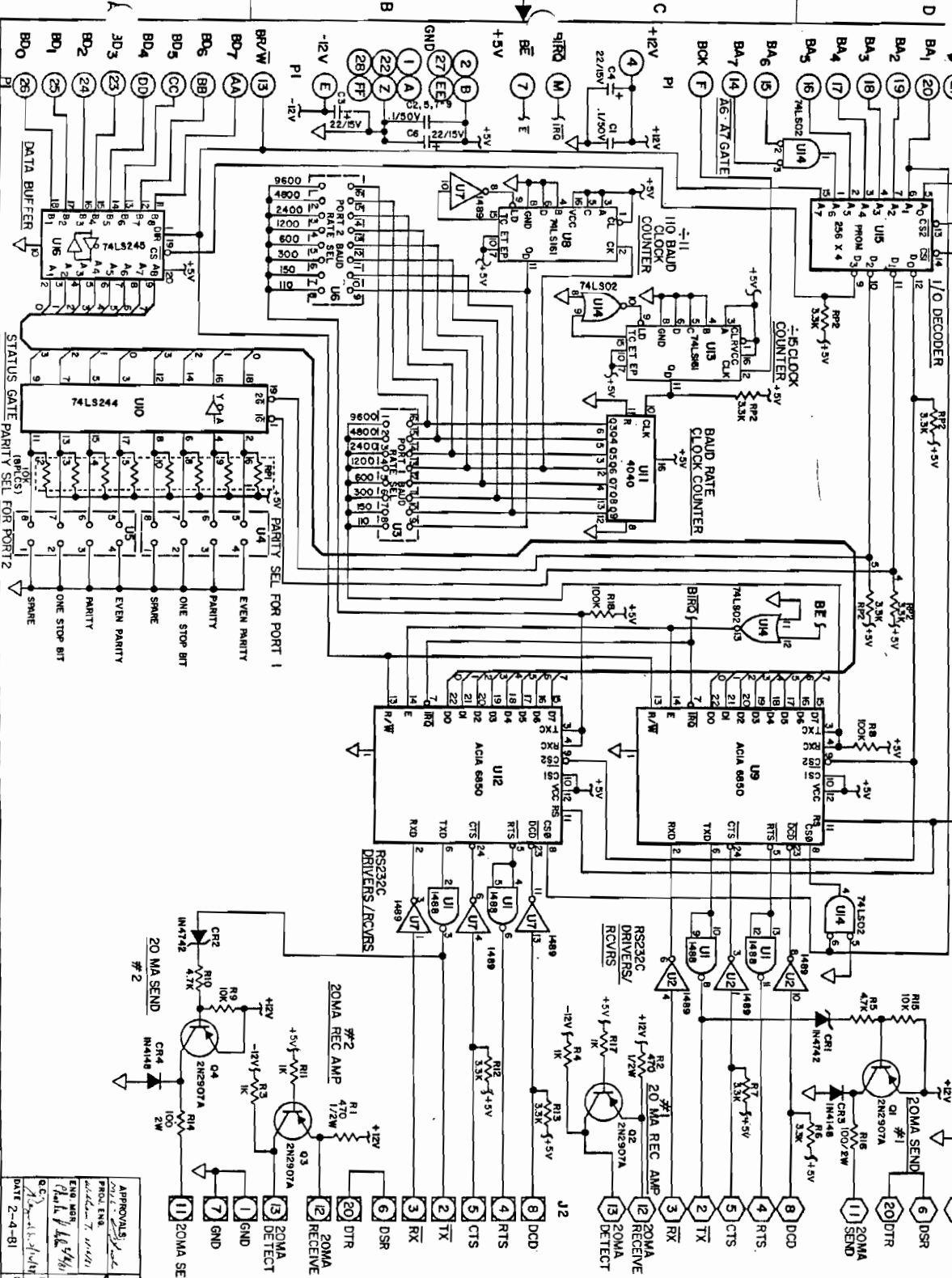


REVISIONS		DATE
ZONE/REV	DESCRIPTION	DR CKM CM/REV
A	RELEASE	5-5-83
B	ECN #4826	5-5-83
C	ECN #5017	5-8-83



NOTES: UNLESS OTHERWISE SPECIFIED

- ALL RESISTORS ARE 1/4W AND IN OHMS, 5%.
- ALL CAPACITORS ARE IN MICROFARADS.
- LAST REFERENCE DESIGNATOR USED.

R18, 09, 04, 04, 06, 02, P1.

6. -001, -004 SHOWN
-002 OMIT R112
6. 701 - 1830 - 003 SHOWN ON PAGE 2 OF 2.

LEGEND

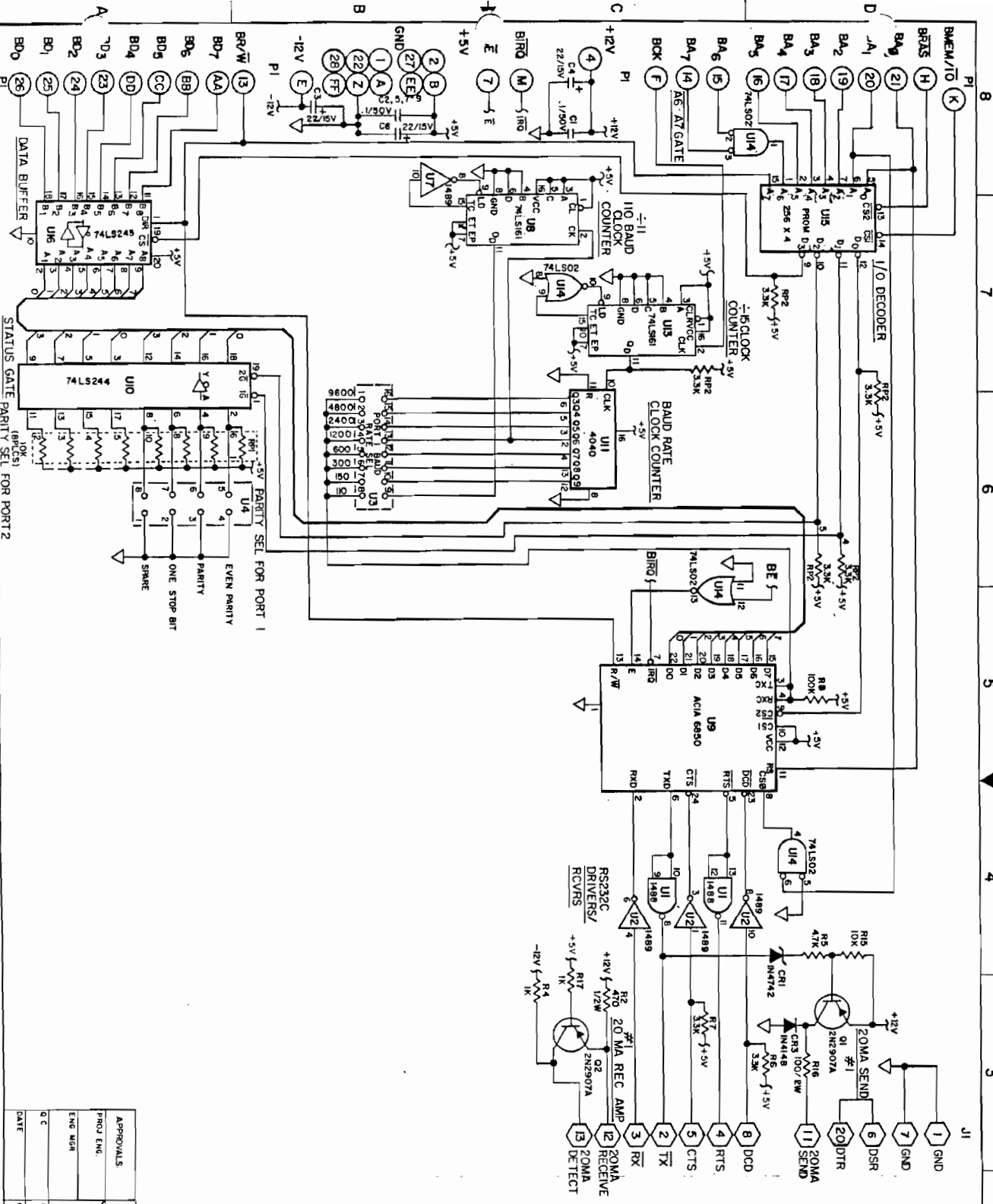
J1
 J2
 P1

DATA I/O

SCHMATIC DIAGRAM,
DUAL SERIAL I/O

APPROVALS: [Signature]
 TITLE: SCHEMATIC DIAGRAM, DUAL SERIAL I/O
 SIZE: 54193
 DATE: 30-701-1830
 CHECKED BY: [Signature]

REV	DESCRIPTION	DATE
2	SEE SHEET 1	



APPROVALS	UNLESS OTHERWISE SPECIFIED DIMENSIONS ARE IN INCHES	TITLE	DATE
PROJ. ENG.	PRECISION TOLERANCES ARE AS SHOWN	DUAL SERIAL I/O	30-70-1830
ENG. MGR.	DRILL DIMENSIONS ARE IN MILLIMETERS		
DATE	CHECKED BY	SCALE	SHEET 2 OF 2

DATA I/O
SCHEMATIC DIAGRAM.
DUAL SERIAL I/O

LEGEND
 UI □
 PI ○

NOTES:
 1. ALL RESISTORS ARE 1/4W AND IN OHMS, 5%.
 2. ALL CAPACITORS ARE IN MICROFARADS.
 3. LAST REFERENC* DESIGNATOR USED.
 RIB, C9, 04, CM4, U16, J2, P1

5	-003 SHOWN
6	UNUSED REFERENCE DESIGNATOR: CR2, 4, J2, C9, 9, R1, 3, 9-14, 18, U5, 6, 12.

+3V	U2, T, M	14	U15	16	U10	20
GND	U1, 2, 7, 14	7	U15	8	U10	10
-12V	U1	14				
+12V	U1	14				